



ProSynergy
Professional Weighing

www.eprosynergy.com

PROSYNERGY WEIGHAUTO PVT. LTD.

Top Filling Machine



Auger Filling Machine



Bottom Filling Machine



Checkweigher System
Conveyer Automation



Bagging Machine



Mixing Vessels



PLC Automation
SCADA System



Gravity Roller
Platform Scale
Trolley Scale



OUR CORE BUSINESS



**AUTOMATIC /
SEMI-AUTOMATIC FILLING MACHINE**

APPLICATIONS

- Chemical, Paint, Pharma, Food Industry
- Filling Capacity Range from 1Kg to 300Kg

ABOUT

- Type of Filling Machine - Top / Bottom / Auger
- Suitable to Foaming / Non-Foaming Different Viscous / Free Flow Material
- Safe Area / Hazardous Zone-1, 2 IIA, IIB
- Filling Capacity Min-1Kg, 300Kg & 1000Kg (HDPE / MS Drum / IBC)
- PLC/HMI Based Filling Controller
- Filling Accuracy- 0.1% of Full Scale or Better Than
- Consistent Performance, Auto Inflight, Totalizer, Drum Count Facility
- Three Stage Filling Operation – Coarse / Fine / Superfine



**BATCHING MACHINE – TANK / SILO /
HOPPER**

APPLICATIONS

- Powder, Granules, Pharma, Construction Chemical, Process Industry
- Batching Capacity Range from 10Kg to 25Ton

ABOUT

- Batching Through PLC / HMI Based Controller
- Batching Accuracy and Consistent Performance
- Two Stage Batching Operation – Coarse / Fine
- Recipe Management and Report Generation Batch Count, Cumulative Totalizer
- Printing Labelling ERP - System Connectivity
- Ethernet, Modbus TCP IP / DeviceNet Communication Protocol
- Barcode / QR Code - Label Printing



BAGGING MACHINE

APPLICATIONS

- Flour, Powder, Semi Solid, Grains, Cement, Granule Chips
- Filling Capacity Rang from 5Kg to 1,000Kg

ABOUT

- Type of Bag Filling -Net / Gross Weigher
- Bag Filling Machine Cap- 5Kg, 25Kg, 50Kg & 1000Kg (Small & Jumbo Bag)
- PLC/HMI Based Bag Filling Controller
- Accuracy- 0.1% of Full Scale or Better Than
- Consistent Performance, Auto Inflight, Totalize, Bag Count
- Three Stage Operation – Coarse / Fine / Superfine Through Setter Gate / Screw
- Pneumatic Operated Rising / Lowering & Bag Clamp Jaw
- Providing Customized Design & Bagging Automation



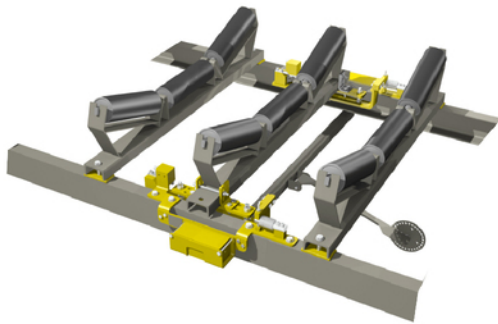
**PROCESS TANK / SILO /
HOPPER WEIGHING SYSTEM**

APPLICATIONS

- Range 10Ton to 600Ton
- Single Ended, Double Ended, Compression Type Load Cell
- Suitable to Hazardous / Safe Area
- Process Tank, Vessel, Reactor, Silo, Hopper

ABOUT

- Capacity – 10Kg to 600Ton Suitable to Hazardous and Safe Area
- Approved by Central Govt of India
- ATEX Approved / Certified Load Cell
- Long Terms Stability / Minimum Maintenance
- Allow Thermal Expansion / Contraction
- Inbuilt Jack Facility with Dummy Load Cell
- Load Cell is Fully SS-IP68 / 69K Protection



**DYNAMIC WEIGHING SYSTEM
CHECKWEIGHER**

APPLICATIONS

- Dynamic Online Weigher
- Check Weigh / Belt Weigher / Weigh Feeder

ABOUT

- Online Weigher Loss in Weigh / Gain in Weigh Feeder
- Belt Scale / Weigh Feeder Capacity 5 to 100Ton/Hr
- Accuracy Class -0.5% Full Scale or Better Than
- Belt Speed, Flow Rate, Totalizer, Global Totalizer
- Full Mass Flow and Batching Function
- Dynamic Checkweigher with Rejection Pusher – 1Kg to 25Kg
- Under Weight / Above Weigh Rejection Graphic Terminal



TRUNKEY CIP SOLUTIONS

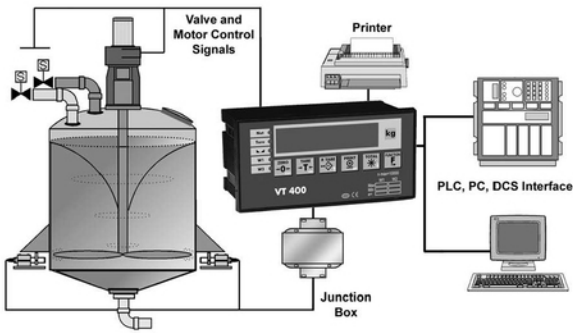
APPLICATIONS

- Sanitize and Disinfect the Piping and the Filling Equipment Every Factory Needs a System of Cleaning in Place
- Suitable From the Smallest Micro-brewery to the Largest Mixing Vessels

ABOUT

- Sanitize and Disinfect the Pipeline, Mixing Vessel, Batch Tank & Reactor
- Sequence Cleaning Cycle Time Through PLC / HMI
- Hot Water / Cold Water / Soap Solution Sequence
- Automatic Heater Temperature Control
- Semi-automatic / Automatic Cycle Mode
- All Safety Interlock As per Clients Requirement
- Trunkey Solution Hot Water, Cold Water & Soap Solution Tank

PLC AUTOMATION



PLC AND AUTOMATION

SIEMENS / SCHNEIDER / ALLEN bradley / DELTA

PLCs Are a Fundamental Tool in Automated Facilities. They're Used to Guarantee That Automated Handling Equipment Performs the Expected Cycles and Manages Goods in an Organized Way. In an Increasingly Demanding Logistics Environment, Companies Seek Solutions That Will Allow Them to Provide Customers with Effective Service While Keeping Costs Down. One of the Most Viable Options for This Is Automation. Optimised by PLCs, Automation Can Be a Strategic Tool for Driving Business Forward and Satisfying Changing Client Demands.

AUTOMATION PRODUCTS



VFDS & SERVOS



FLOAT LEVEL SENSOR



TEMPERATOR GAUGE, RTD

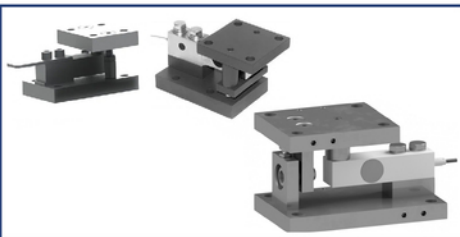


PRESSURE GAUGE, PRESSURE SWITCH



WEIGHING TRANSMITTER / INDICATOR

LOAD CELL & MOUNTINGS



SINGLE ENDED SHEAR BEAM – 10KG TO 1000KG



COMPRESSION TYPE – 10TON TO 600TON



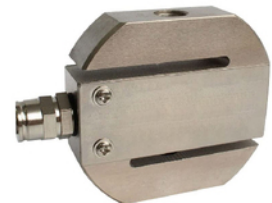
SINGLE POINTS – 10KG TO 1000KG



DOUBLE ENDED SHEAR BEAM – 10TON TO 200TON



BENDING BEAM SHEAR BEAM – 10KG TO 1000KG



S TYPE – 10KG TO 1000KG

- Fully SSIP68/69K Protection With Atex Certified / Approval
- Mounting Assembly MOC- Mild Steel / SS-304
- Accuracy Class C3, C4, According to Oiml-R60

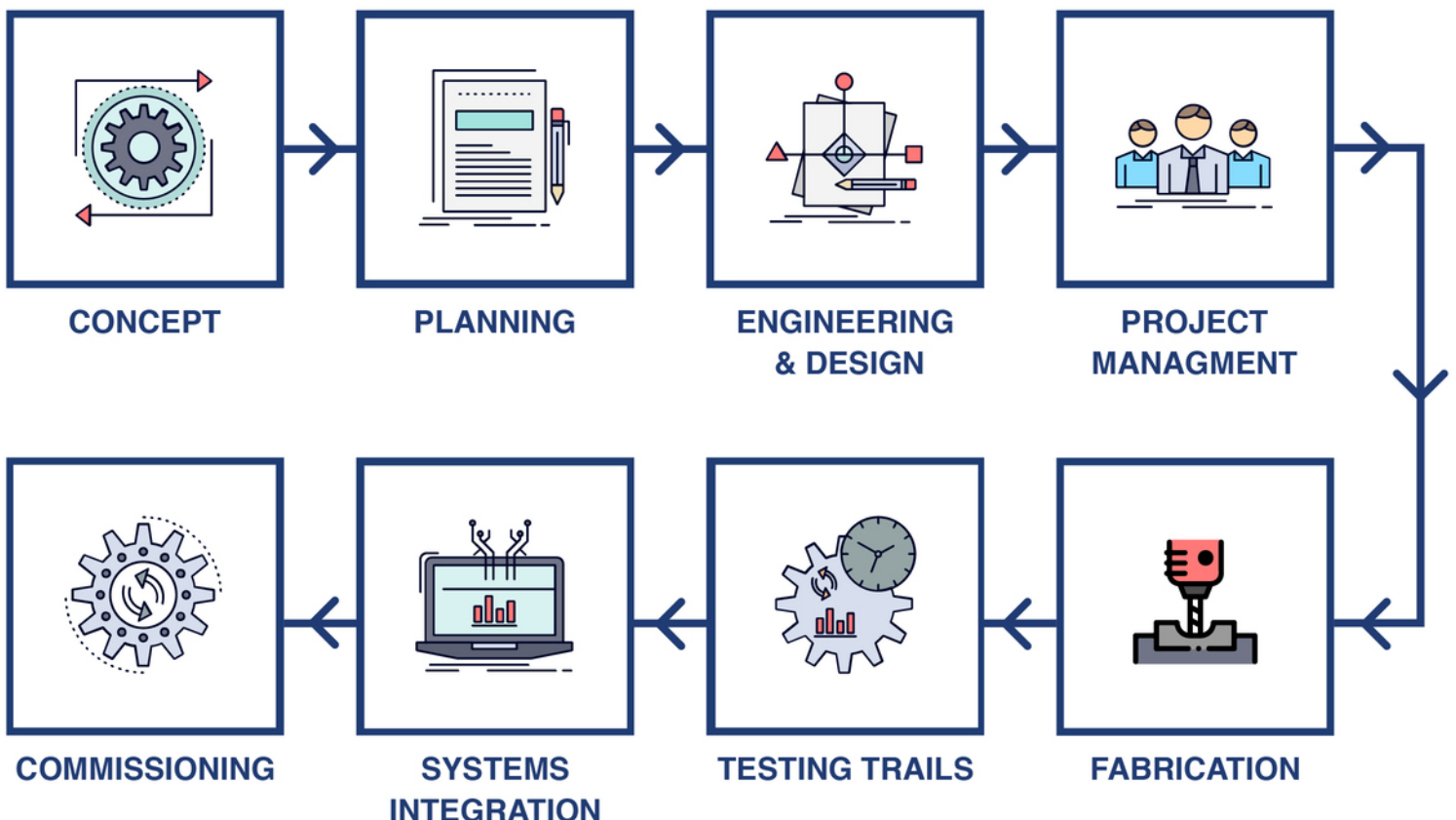
OUR SERVICES



- INDUSTRIAL AUTOMATION CONSULTING SERVICES
- PANEL DESIGN
- PROCESS AUTOMATION
- SYSTEM INTEGRATION
- INSTALLATION AND COMMISSIONING ASSISTANCE
- GOVERNMENT STAMPING SERVICES
- ANNUAL MAINTENANCE CONTRACT

With the Best of Our Knowledge and Practice, We Make the Control and Operation Smoother with Applying the Optimum Usage of Latest Technology Available for Plant Automation. Our Dedicated Team of Professional Provides Most Suitable Solution to Client as Per Their Specifications. We Adhere to the Industrial Standards and Norms Regarding Quality and Regulation and Assure Trouble Free Service and Satisfaction. We Offer the Various Tanking, Recipe and Valve Automation along with Regular Industrial Instruments Like Indicators, Scanner, Controller, Timer, Etc. We Have Evolved In-house Weighing Controller, Which Can Be Used in Verity of Weighing Applications like Drum Filling, Bag Filling and Tank Weighing. Our Goal Is to Achieve Best Possible Outcome Form the Plant Automation, with Cost Effectiveness and Best Quality. We Especially Offer Services to Plastic, Pharmaceuticals and Chemical Industry.

HOW WE WORKS



PROSYNERGY WEIGHAUTO PVT. LTD.

YOUR PARTNER IN WEIGHING AND AUTOMATION

OUR VALUED CLIENTS

